

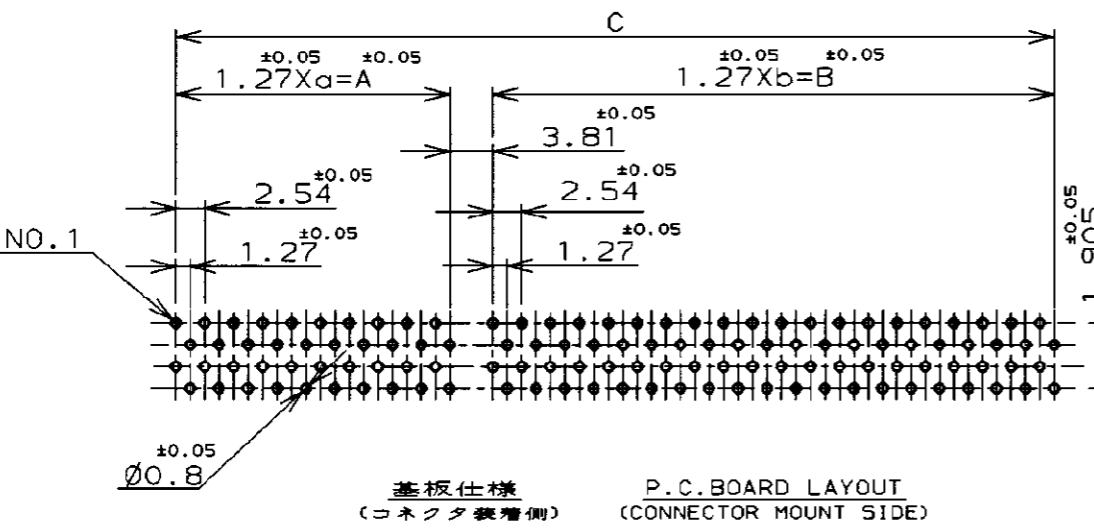
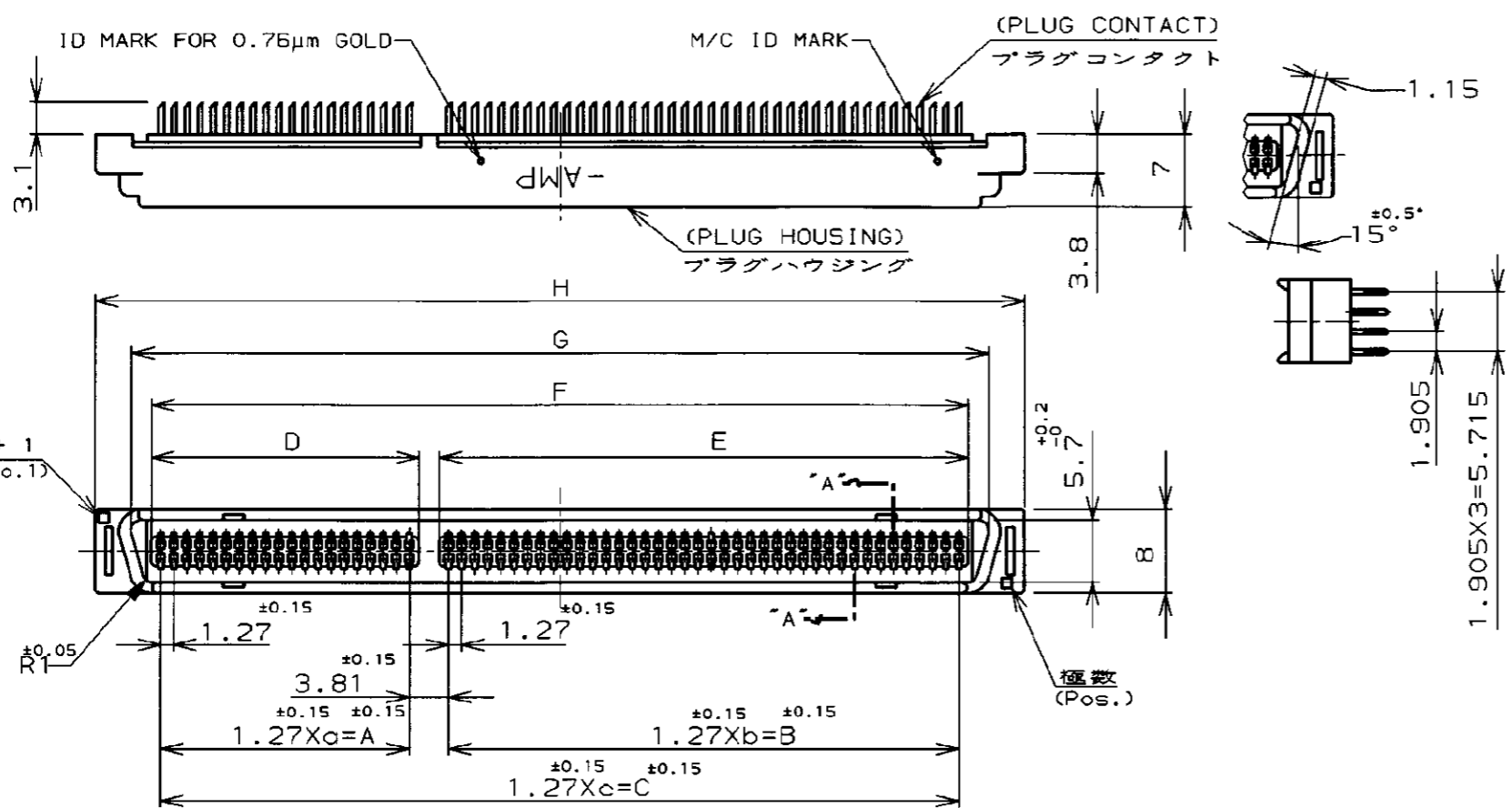
METRIC

DIMENSIONS IN MILLIMETERS. DO NOT SCALE PRINT

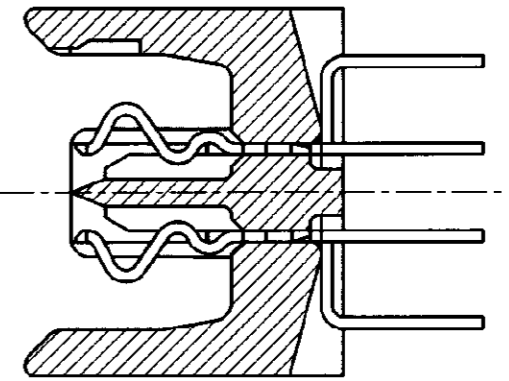
PRINT DIST

NUMBER C-5917631

3rd ANGLE PROJECTION



- NOTE:
- ① MATERIAL: HOUSING: THERMOPLASTICS (UL 94V-0) BLACK
CONTACT: COPPER ALLOY
 - ② FINISH: CONTACT: Au AT CONTACT AREA
TIN AT TINE, OVER Ni
 - 3. THESE PRODUCTS WERE COATED BY ANTI-FLUX MIGRATION AGENT.
 - ④ OBSOLETE



SECT. "A"-"A"

④	29	36.83	49	62.23	—	102.87	38.63	64.03	104.67	108.11	115.49	0.76µm	160	2	7
④	19	24.13	39	49.53	—	77.47	25.93	51.33	79.27	82.71	90.09	0.76µm	120	2	5
④	—	—	—	—	49	62.23	—	—	64.03	67.47	74.85	0.76µm	100	2	4
④	—	—	—	—	39	49.53	—	—	51.33	54.77	62.15	0.76µm	80	2	3
④	39	49.53	49	62.23	—	115.57	51.33	64.03	117.37	120.81	128.19	0.3µm	180	—	8
④	29	36.83	49	62.23	—	102.87	38.63	64.03	104.67	108.11	115.49	0.3µm	160	—	7
④	29	36.83	39	49.53	—	90.17	38.63	51.33	91.97	95.41	102.79	0.3µm	140	—	6
④	19	24.13	39	49.53	—	77.47	25.93	51.33	79.27	82.71	90.09	0.3µm	120	—	5
④	—	—	—	—	49	62.23	—	—	64.03	67.47	74.85	0.3µm	100	—	4
④	—	—	—	—	39	49.53	—	—	51.33	54.77	62.15	0.3µm	80	—	3
④	—	—	—	—	29	36.83	—	—	38.63	42.07	49.45	0.3µm	60	—	2
④	—	—	—	—	19	24.13	—	—	25.93	29.37	36.75	0.3µm	40	—	1
	a	A	b	B	c	C	D	E	F	G	H	GOLD PLATING	Pos.		P/N

注記:
 ① 材料:ハウジング;熱可塑性樹脂 (UL 94V-0) 色:黒
 コンタクト:銅合金

② 表面仕上げ;
 コンタクト:全面ニッケル下地めっき
 接触部金めっき、脚部すずめっき

3. 本製品はフラックス上がり防止処理済み

鉛フリー
LEAD FREE

				TE TE Connectivity									
				WIRE RANGE mm ² (AWG -)		INSULATION DIA mmφ		NAME AMP FH CONNECTOR PLUG (VERTICAL)					
				MATERIAL		FINISH		GENERAL TOLERANCE					
				①		②		0<≦10 : ±0.2 10<≦30 : ±0.25 30<≦100 : ±0.3 ANGLES : ±3°					
A				REVISED PER ECR-12-013341	28MAR2013	K.M	E.T	SIZE		LOC		NUMBER	
O				RELEASED (FJBO-0582-04)	09JUN04	T.K	I.E	B		J		C-5917631	
LTR				DESCRIPTION	DATE	DWN	APVD	SCALE		REV.		SHEET	
								NTS		A		1 OF 1	
				CHK.	09JUN04	IENOMOTO		DE.		09JUN04		APP.	
						IENOMOTO				09JUN04			

CUSTOMER DRAWING